

CHAVAKALI HIGH SCHOOL



P.O.BOX 144 MARAGOLI: TEL 0714131859

MAIL: chavahigh@yahoo.co.uk

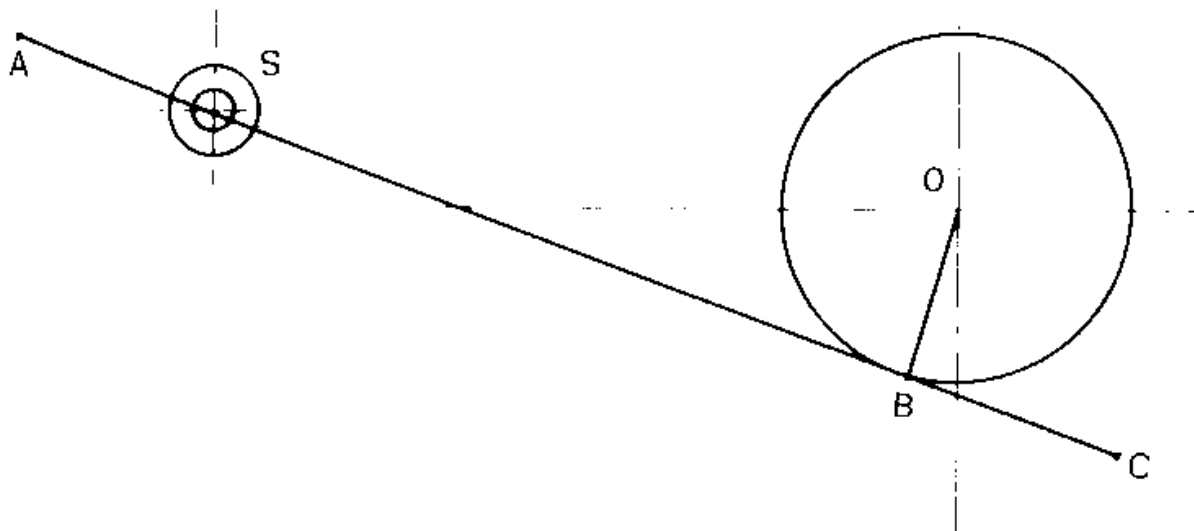
FORM TWO -MARCH BREAK ASSIGNMENT - TERM 1 - 2020

DRAWING AND DESIGN

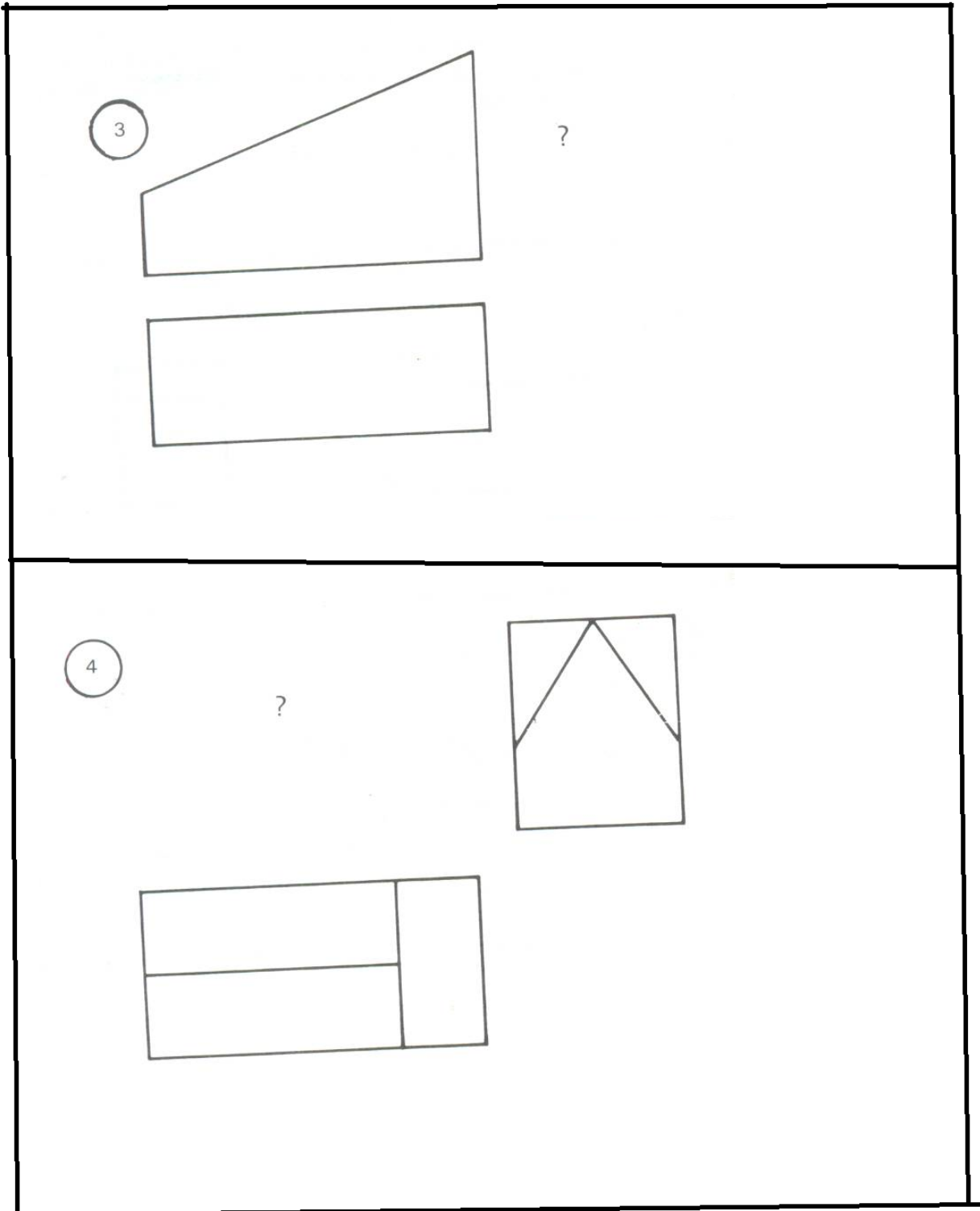
1. In the mechanism shown below, the crank OB rotates about centre O. A rod AC, pin jointed to the crank at B is free to slide through the point S.

Plot and draw the locus of:

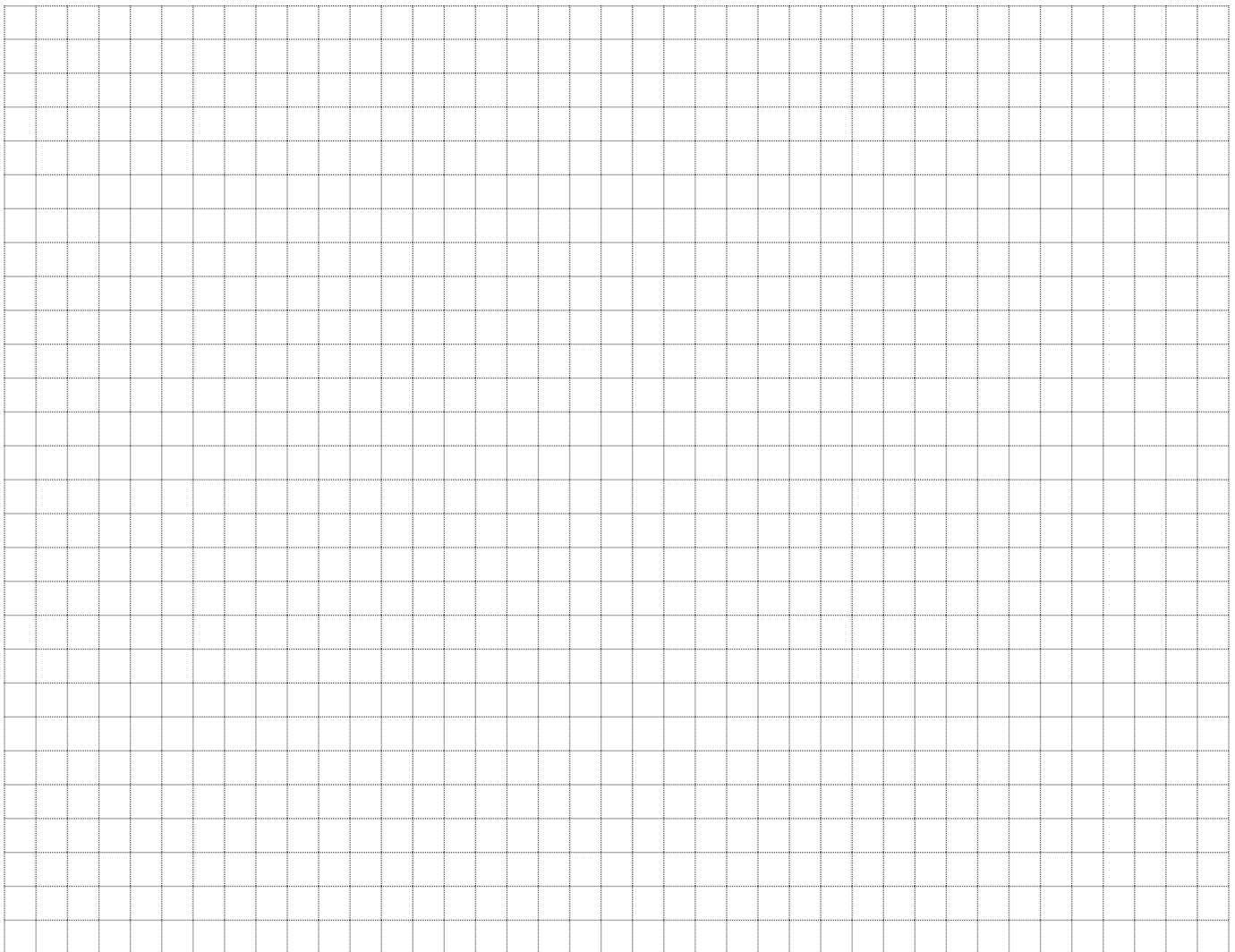
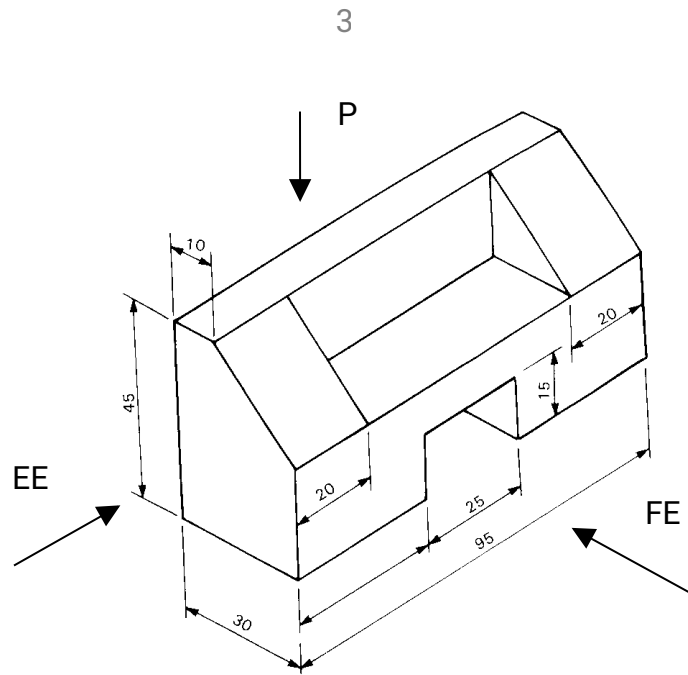
- a. the end A of the rod for one complete revolution of OB.
- b. the end C of the rod for one complete revolution of OB.



2. Two views of simple shaped block are shown in diagrams 3 & 4 below. Draw the missing third view for each in the spaces indicated by question marks - ?.

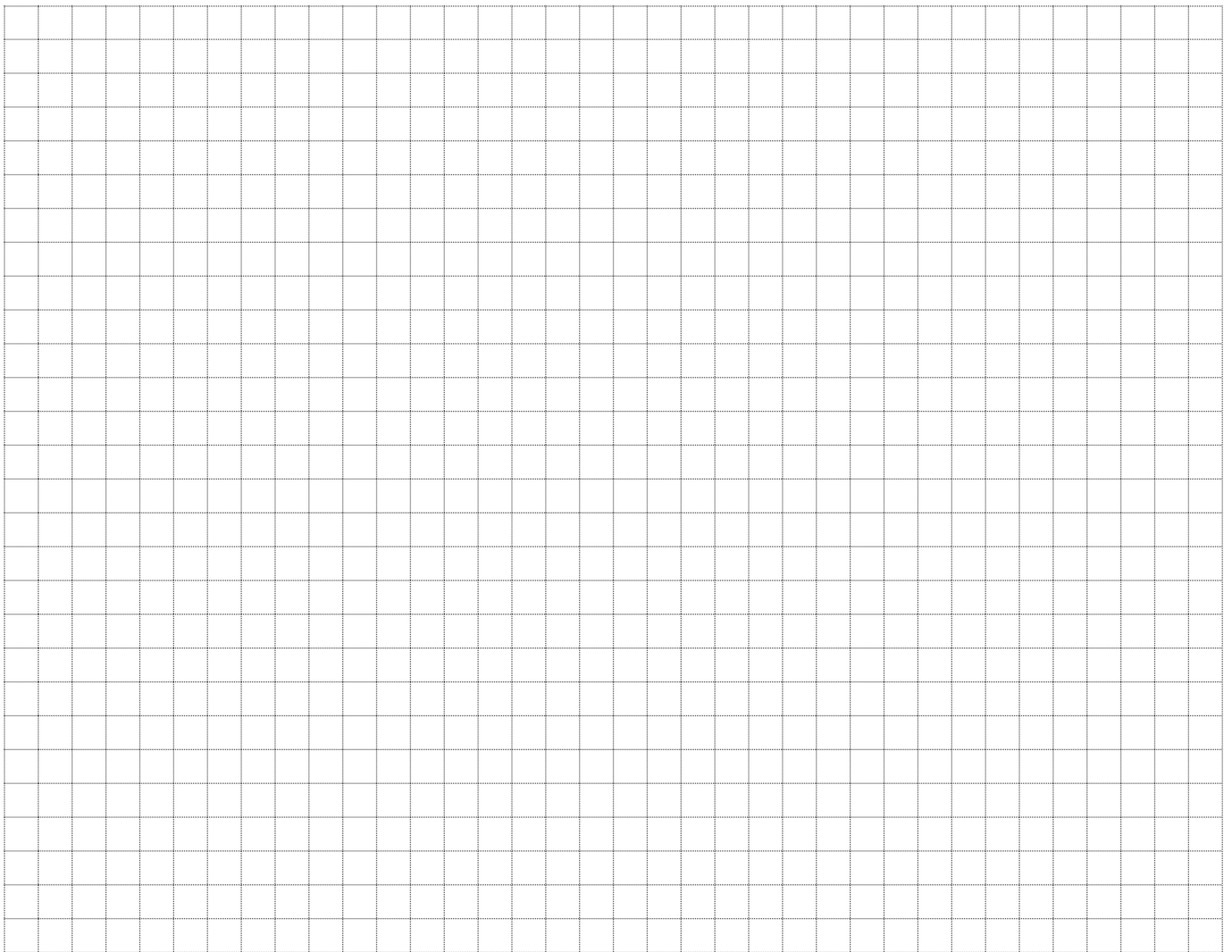
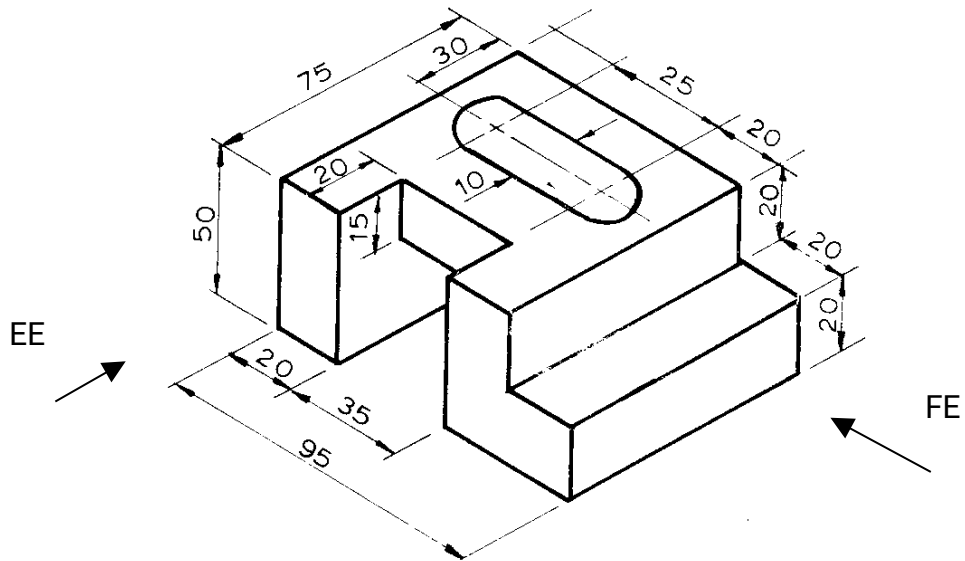


3. The figure shown below is in isometric projection; on the squared paper provided draw three orthographic views of the block in 1st angle. (Assume each square is 5x5 mm)
(9 marks)



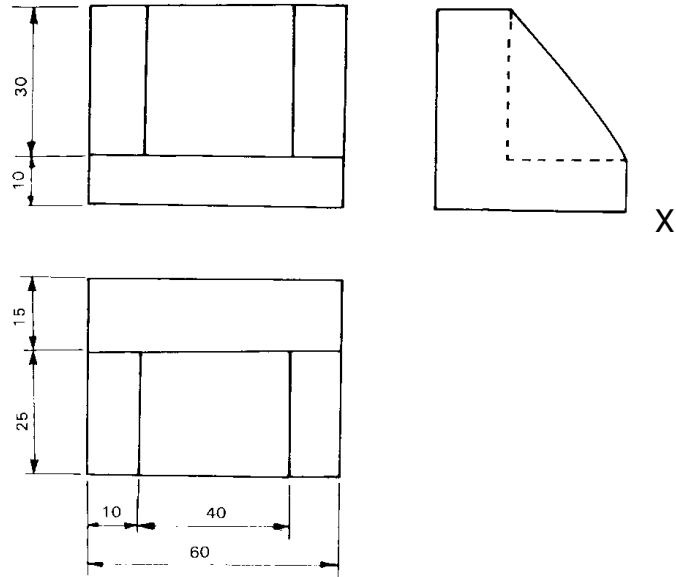
4. The figure below shows a pictorial drawing of a simple block. Convert it to 3rd angle orthographic projection looking in direction of arrow FE for Front Elevation, EE for End Elevation and P for Plan. Draw the views on the squared paper provided (1 sq =5mm)





5. Three views of a simple shaped block are shown in 1st angle orthographic projection. Draw the block in isometric projection with X as the lowest corner.

5



6. On the same base of 30mm, construct a square, a heptagon and a nonagon.

7. a) Construct a common internal tangent to two circles 50mm apart. One circle has got a diameter of 40mm and the other 22mm

b) Construct a common external tangent to two unequal circles 43mm apart. One circle is 40mm in diameter and the other is 24mm